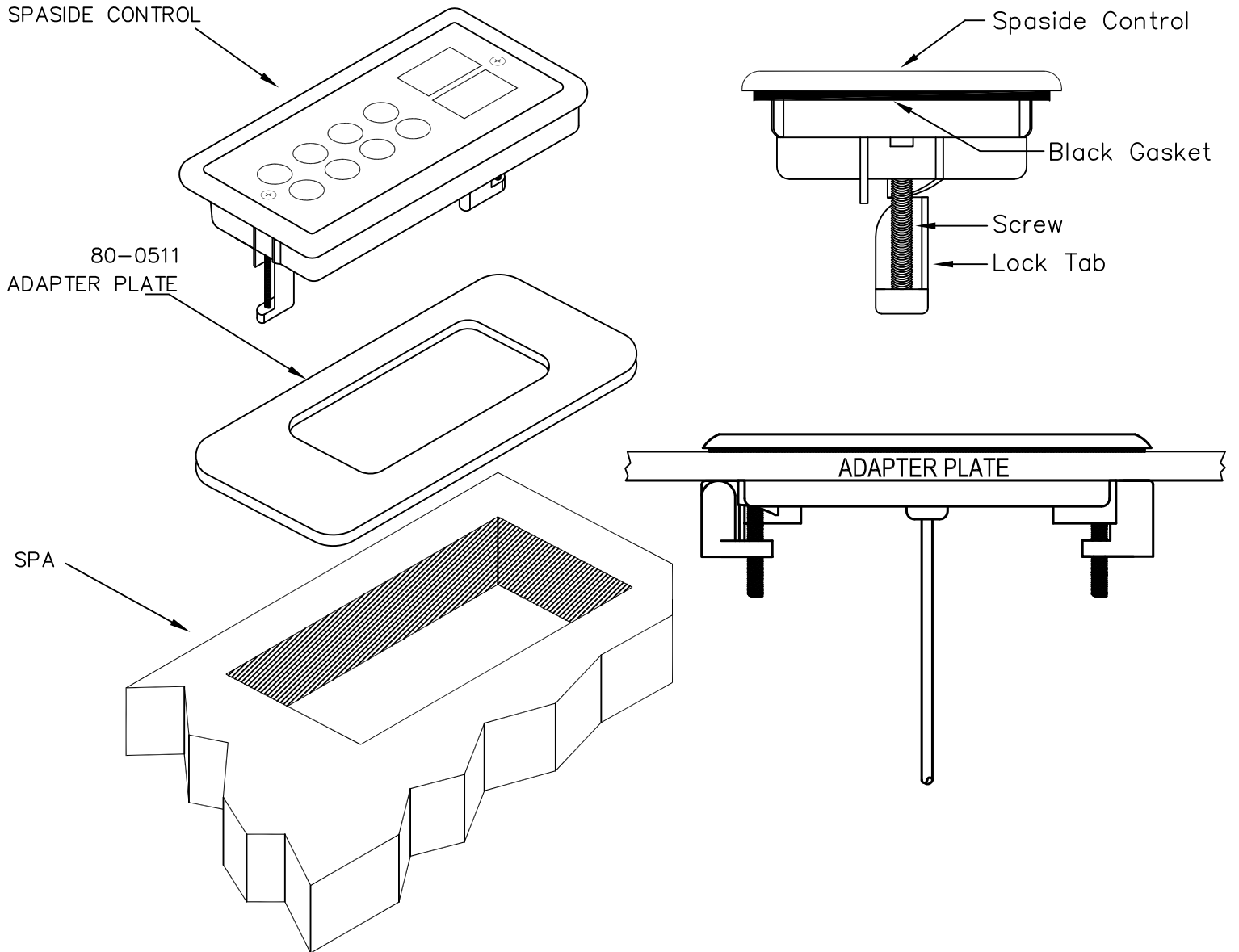


# HT-2 Series Spaside Control Adapter Plate Installation



## INSTUCTIONS:

Install HYDROQUIP Spaside Adapter over existing cutout using a good grade of sealant. Let cure for the recommended time or 24-hours. Once the sealant has cured, install the spaside control using the illustration above as a guide.

(If there is poor or no under skirt access, install using silicone sealant leaving 12" of cord to facilitate removal.)